

AFT-MINI

Miniature 6-Axis Force / Torque Sensor



AFT20-D15

Features

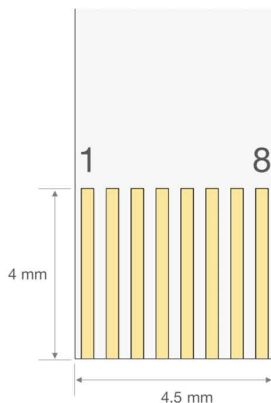
- Miniature 6-axis force/torque sensor
- All-in-one sensor (No additional amplifier)
- Digital output communications (CAN, etc)
- Easy installation and data collection
- Grippers, robot hands, medical, and VR/haptics



Specification table

Index	Unit	Value
Operating voltage	VDC	5
Max. safe excitation voltage	VDC	10
Nominal force range (F_{XYZN})	N	20
Nominal torque range (T_{XYZN})	Nmm	120
Limit force (F_{XYZL})	N	25
Limit torque (T_{XYZL})	Nmm	150
Resolution (F_{XYZ})	N	0.1
Resolution (T_{XYZ})	Nmm	0.3
Sample rate	Hz	100
Dimensions	mm	D15 x H10.5
Weight	g	3.2
Temperature		10-50 °C
Interfaces		CAN
Connector		FPC: 0.5 pitch, 8pin Length: 50, 100, 200 mm For User: CAN_H / CAN_L / VCC / GND

Pin out



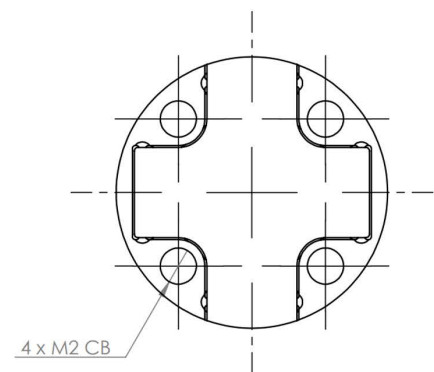
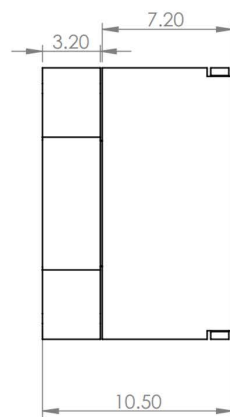
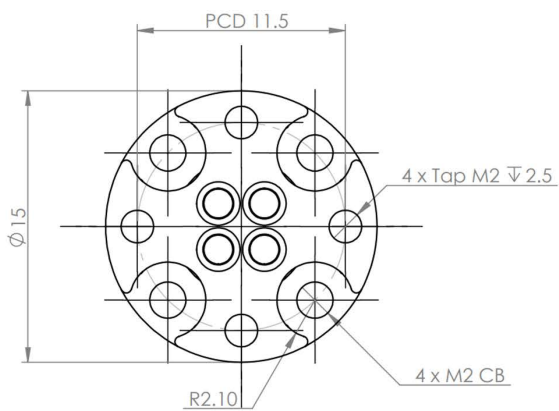
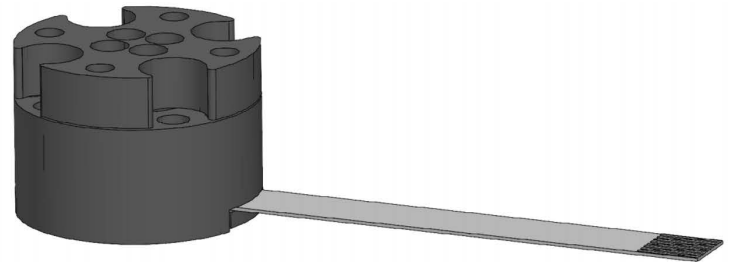
- 1 – CAN_LOW
- 2 – CAN_HIGH
- 3 – NC
- 4 – NC
- 5 – NC
- 6 – NC
- 7 – GND
- 8 – VCC (5V)

Bolting example



*Transparent parts are user part examples

Drawing



AIDIN ROBOTICS Inc.

(주) 에이딘로보틱스