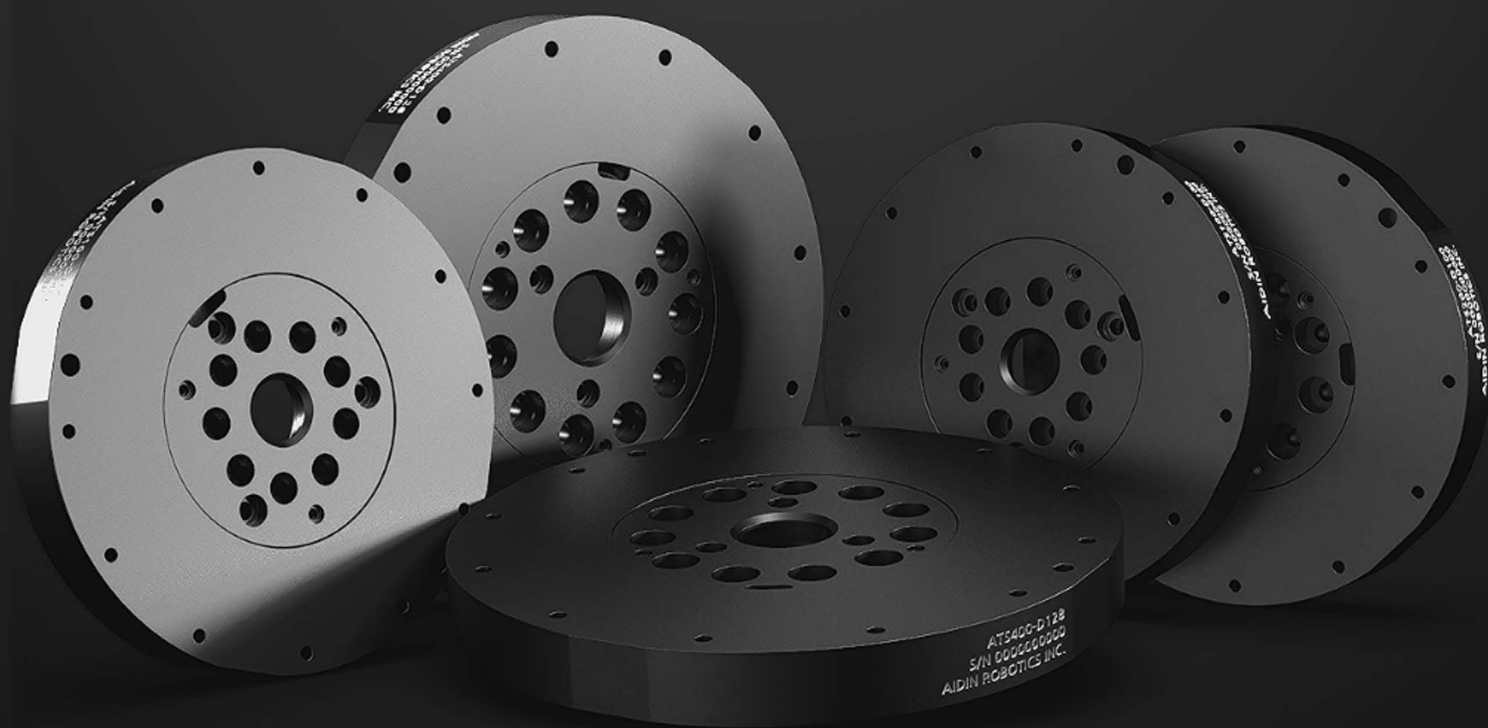


ATS SERIES

Ultra-Thin Torque Sensor



ATS SERIES

Features

- Ultra-Thin torque sensor
- All-in-one sensor (No additional amplifier)
- Digital output communications (CAN, etc)
- Easy installation and data collection
- Collaborative robot, industry application, automation







Specification table

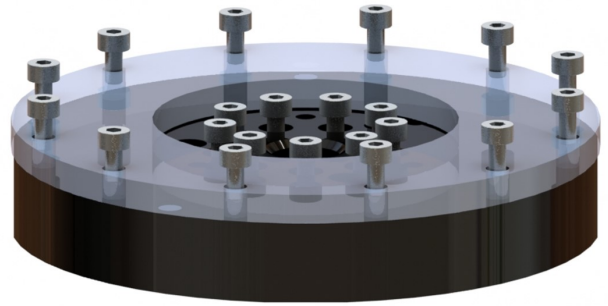
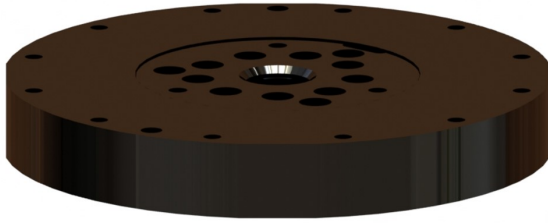
Index	Unit	Value			
		ATS50	ATS100	ATS200	ATS400
Operating voltage	VDC	5			
Max. safe excitation voltage	VDC	10			
Nominal torque range (T_N)	Nm	50	75	150	300
Peak torque	Nm	75	100	200	400
Breaking torque (related to T_N)	%	200	200	200	175
Resolution	Nm	0.1	0.1	0.25	0.3
Weight	g	210	210	215	360
Dimensions	mm	D100 x H14			D128 x H14
Sample rate	Hz	1,000			
Interfaces		CAN			
Temperature		10-50 °C			
Connector		For User: CAN_H / CAN_L / VCC / GND			

Pin out



-  V_{in}
-  GND
-  CAN_high
-  CAN_low

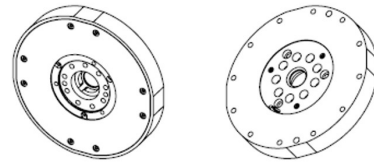
Bolting example



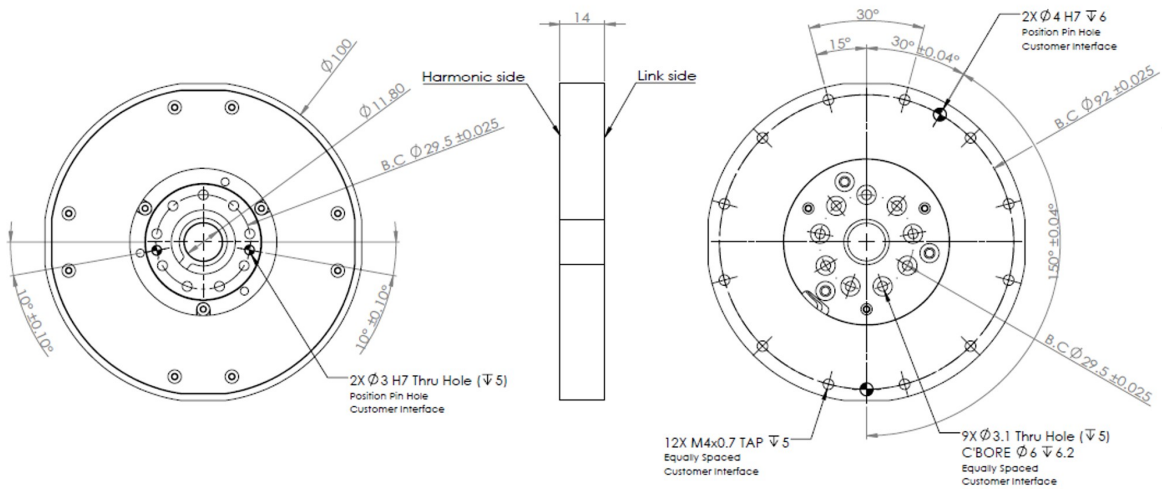
*Transparent parts are user part examples

Drawing

AIDIN ROBOTICS Joint Torque Sensor ATS100-D100



[Reference View]



AIDIN ROBOTICS

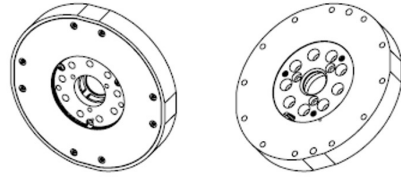
(주) 에이딘로보틱스

경기도 수원시 장안구 서부로 2066, 산학협력센터 85311호

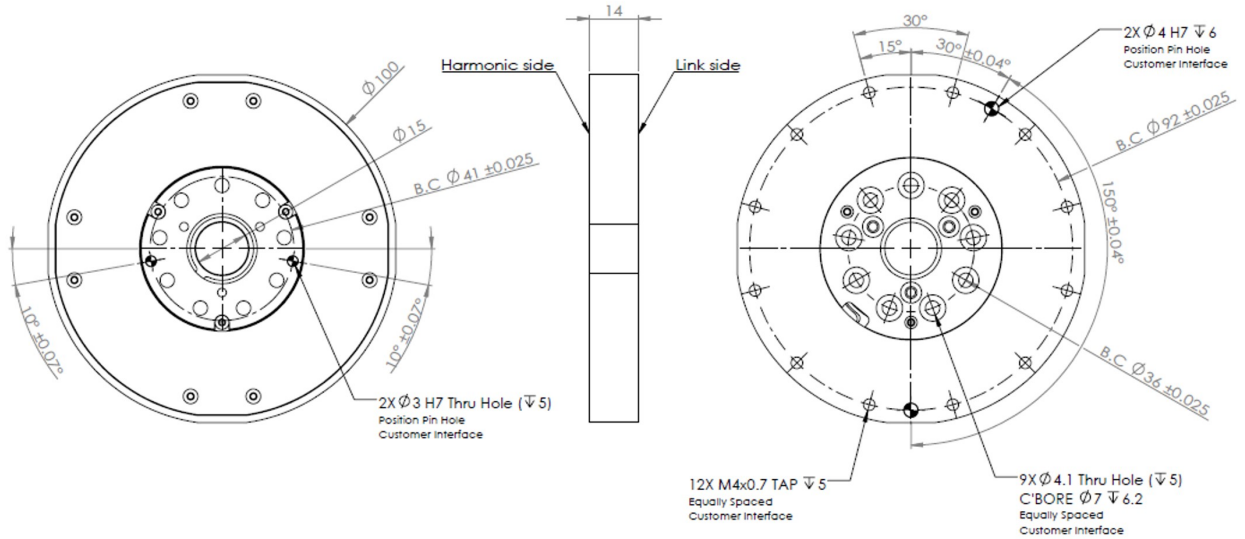
Tel : 031-290-7926 E-mail : info@aidinrobotics.com

Drawing

AIDIN ROBOTICS Joint Torque Sensor ATS200-D100

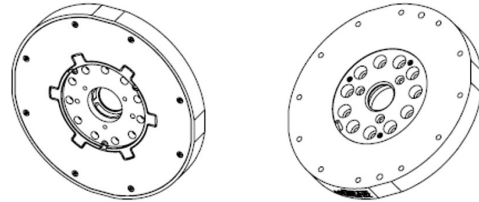


[Reference View]



Drawing

AIDIN ROBOTICS Joint Torque Sensor ATS400-D128



[Reference View]

